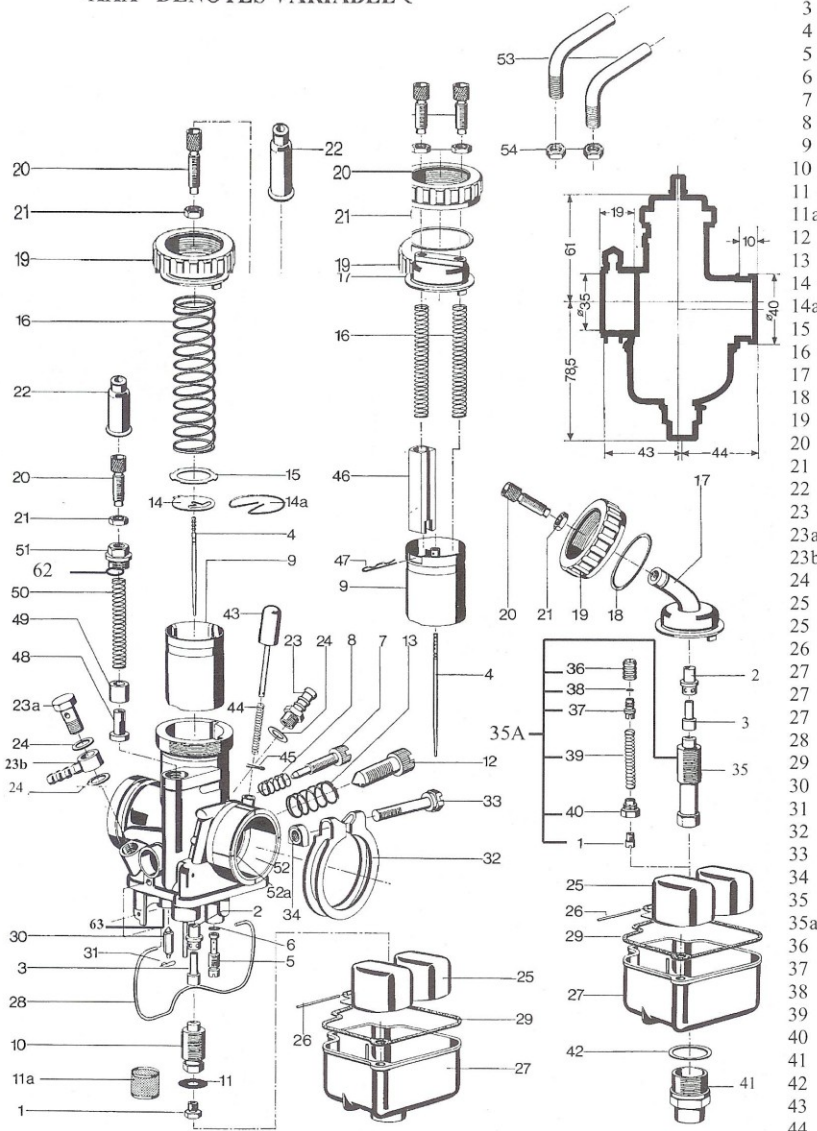


TYPE 53 SLIDE CARBURETOR

-XXX DENOTES VARIABLE COMPONENTS SEE PAGE 1



**ALCOHOL PROOF FLOAT & BOWL KIT
AVAILABLE SEE PAGE 21**

- 53 PIPE BEND
- 54 NUT
- 60 INDEPENDENT FLOAT
- 61 IND. FLOAT ARM
- 62 GASKET—New Style Only
- 63 FLOAT NEEDLE SEAT
- 63 FLOAT NEEDLE SEAT R60/7
- Not shown - Choke O-Ring—New Style Only

- | FIG NO. | DESCRIPTION |
|---------|---------------------|
| 1 | MAIN JET |
| 1a | MAIN JET |
| 2 | ATOMIZER |
| 3 | NEEDLE JET |
| 4 | JET NEEDLE |
| 5 | IDLE JET |
| 6 | "O" RING |
| 7 | AIR SCREW |
| 8 | SPRING |
| 9 | AIR SLIDE |
| 10 | JET STOCK |
| 11 | WASHER (norm) |
| 11a | SCREEN (race) |
| 12 | IDLE SPEED |
| 13 | SPRING |
| 14 | CLIP PLATE |
| 14a | JET NEEDLE CLIP |
| 15 | RING |
| 16 | SPRING |
| 17 | CAP (L & R) |
| 18 | "O" RING |
| 19 | CAP RING |
| 20 | CABLE ADJUST |
| 21 | NUT |
| 22 | CABLE BOOT |
| 23 | FUEL FITTING |
| 23a | PLUG |
| 23b | BANJO |
| 24 | SEAL RING |
| 25 | FLOAT (STOCK) |
| 25 | FLOAT (IND) |
| 26 | PIVOT PIN |
| 27 | FLOAT BOWL-5 |
| 27 | FLOAT BOWL-6 |
| 27 | FLOAT BOWL (IND) |
| 28 | BOWL CLIP |
| 29 | BOWL GASKET |
| 30 | FLOAT NEEDLE |
| 31 | LOCK SPRING |
| 32 | CLAMP |
| 33 | BOLT |
| 34 | NUT |
| 35 | PUMP CYLINDER |
| 35a | PUMP ASSEMBLY |
| 36 | PISTON |
| 37 | VALVE |
| 38 | REED |
| 39 | SPRING |
| 40 | JET STOCK |
| 41 | CAP |
| 42 | SEAL RING |
| 43 | TICKLER |
| 44 | SPRING |
| 45 | PIN |
| 46 | CHOKE SLIDE |
| 47 | NEEDLE CLIP |
| 48 | PISTON |
| 49 | BUSHING-(brass) |
| 49 | BUSHING(aluminum) |
| 50 | SPRING |
| 51 | LOCK SCREW |
| 51a | LOCK SCREW N/S Only |
| 51b | CHOKE TUBE N/S Only |
| 52 | BUSHING |
| 52a | RING- /5 |
| 52b | RING-Choke Model |